

## 3Ports High Power Polarization Insensitive Optical Circulator

<b>Features:</b>
High isolation & High Return Loss Low insertion loss & PDL Optical Path Epoxy Free
<b>Application:</b>
EDFA,DWDM and OTDR DWDM and OADM networks Bi-directional transmission system

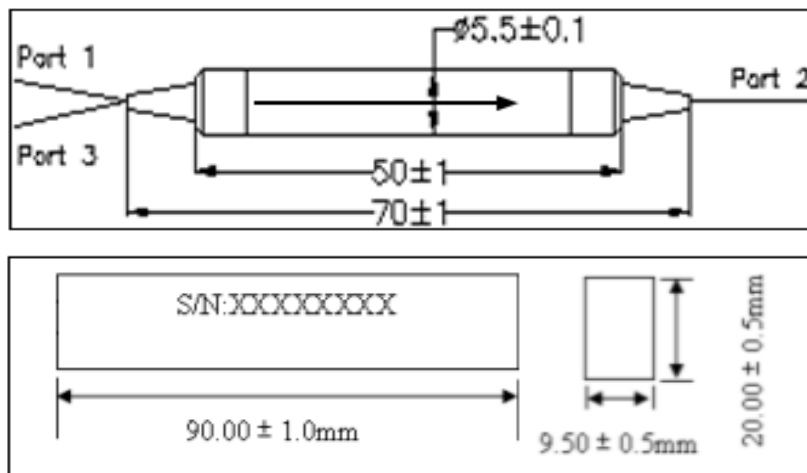
**Specifications:**

Parameter	3 Port	
Operating wavelength (nm)	1550 ± 30	C+L Band(1520~1620)
Peak Isolation ,23 °C (dB)	≥45	≥40
Isolation ,23 °C (dB)	≥35	≥30
Insertion Loss,23 °C (dB)	≤1.0	≤1.1
PDL (dB)	≤0.15	≤0.20
Return loss (dB)	≥50	
PMD (ps)	≤0.1	
Directivity	≥50	
Power handling (W)	1,2,3,5, 10	
Fiber Type	SMF-28e	
Operating temperature (°C)	0 ~ +70	
Storage temperature (°C)	-40 ~ +85	
Package Dimensions (mm)	For bare fiber or 900um loose tube	φ5.5×L50 for < 5W, 58x10x8mm for >5W

\*Above specifications are for device without connector.

\*For devices with connector,IL will be 0.3dB and RL will be 5dB lower, and max handling power is 1W.

**Package Dimension:**



### 3Ports High Power Polarization Insensitive Optical Circulator

**Ordering Information:**

HCIR	wavelength	Type	0	Power	Package type	Pigtail Type	Length	Connector
HCIR	1550=1550nm 1570=1570nm	3=3Port	0	1=1W 2=2W 3=3W 4=4W 5=5W A=10W S=Specify	3=5.5*50mm 2= 90*20*9.5mm 4=58x10x8mm	1=250um bare fiber 2=900um loose tube S=Specify	H=0.5m 8=0.8m 1=1.0m S=Specify	0=None 1=FC/UPC 2=FC/APC 3=SC/APC 4=SC/UPC 6=LC/UPC 7=LC/APC S=Specify